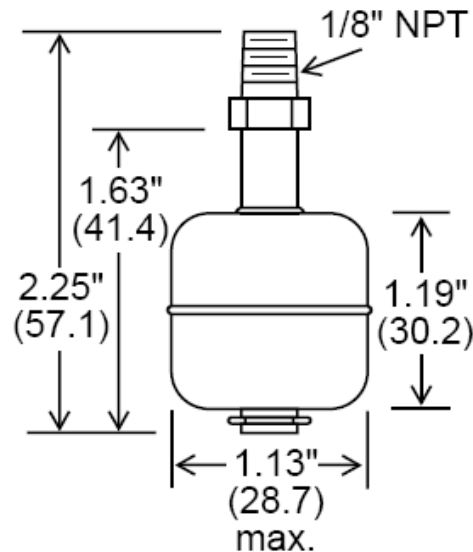




## M5000 Stainless Steel Float Switch (FLT005)

- Versatile, economical and compact stainless steel float switch.
- UL Recognized part used in thousands of products.
- Normally closed; float can be removed, inverted and replaced for normally open operation.
- 1/8" NPT tapered stem threading; self-sealing; does not come with a nut.
- Warranted against manufacturer defect for one year from delivery date.



Unit: Inches (mm)

**Operation:** When the float drops to within .12" (+/- .04") of the bottom clip, the internal reed contacts draw together and complete a circuit. When the float rises .20" (+/- .04") from the bottom clip, the contacts separate and open the circuit.

### Materials:

Float:	316 Stainless Steel
Stem:	316 Stainless Steel
O-ring:	None (tapered threading)
Clip:	316 Stainless Steel
Leads:	22 ga. Teflon, 24", black
Top Fill:	Epoxy

### Specifications:\*

Temperature:	+200°C
Contact rating:	30VA
Max Pressure:	300 PSIG
Approvals:	UL, CSA, NSF
Specific Gravity:	.7

\*Can be customized to your requirements

773-252-9660 • info@chicagosensor.com  
 1736 W. Pierce Avenue • Chicago, IL 60622  
 Warehouse: 5113 Richmond Road • Ringwood, IL 60072