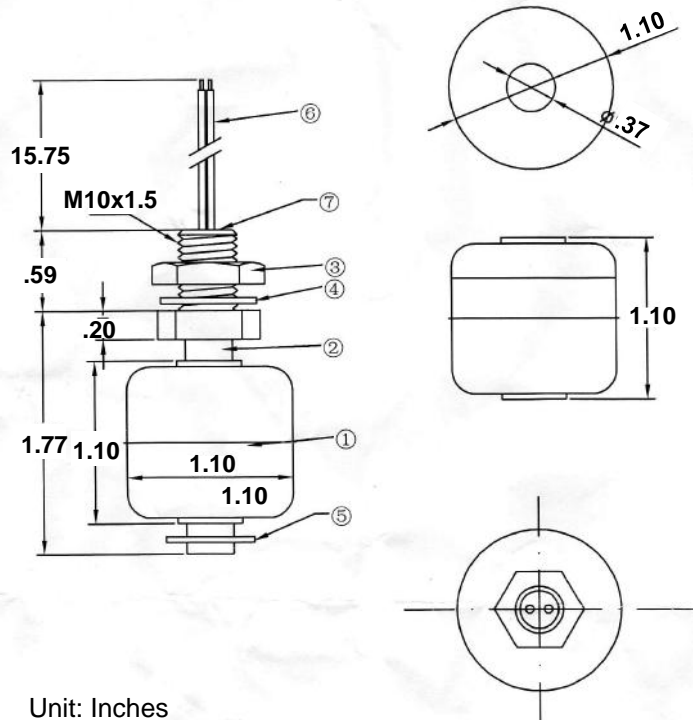


FLT 240 Stainless Steel Float Switch

- Versatile, economical and compact
- UL Listed internal reed switch
- Normally closed; can be inverted for normally open operation
- M10X1.5 stem threading – each switch comes with a nut and silicon o-ring
- Warranted against manufacturer defect for 90 days from delivery date



Unit: Inches

Operation: When the float drops to within .12" (+/- .04") of the horizontal position, the internal reed contacts draw together and complete a circuit. When the float rises .20" (+/- .04") from the horizontal position, the contacts separate and open the circuit.

Materials:

- | | | |
|----|-----------|--------------------------|
| 1. | Float: | Stainless Steel |
| 2. | Stem: | 304 Stainless Steel |
| 3. | Nut: | Stainless Steel |
| 4. | O-ring: | Silicon |
| 5. | Clip: | Stainless Steel |
| 6. | Leads: | 1007 AWG22, 15.8", black |
| 7. | Top Fill: | Epoxy |

Specifications:*

- | | |
|-------------------------|--------------|
| Temperature: | -10 ~ +120°C |
| Contact rating: | 50W |
| Max Switching Voltage: | <=220VAC |
| Min Breakdown Voltage: | 600VDC |
| Max Switching Current: | 2.5A |
| Max Contact Resistance: | 100mΩ |

*Can be customized to your requirements