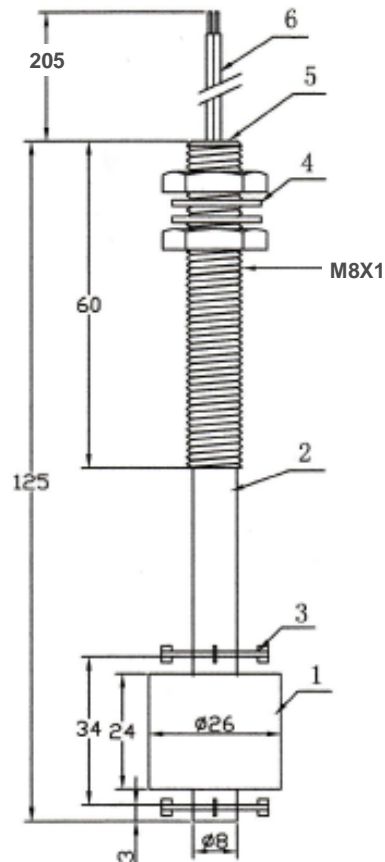




## FLT 235A Stainless Steel Float Switch

- Versatile switch with long threading for adjustable depth.
- Normally open; float can be inverted for normally closed operation (do not invert switch).
- M8X1 stem threading – each switch comes with two nuts and silicon o-rings.
- Warranted against manufacturer defect for 180 days from delivery date.



Unit: mm

**Operation:** When the float is up, the internal reed contacts draw together and complete a circuit. When the float is down, the contacts separate and open the circuit.

### Materials:

1. Float	Stainless Steel
2. Stem:	304 Stainless Steel
3. Clips:	Stainless Steel
4. O-Ring:	Silicon
5. Potting:	Epoxy
6. Leads:	AWG22, 205mm black

### Specifications:

Temperature:	-10 ~ +90°C
Contact rating:	50W
Max Switching Voltage:	220VAC
Max Carry Current:	2.5A
Max Contact Resistance:	100mΩ