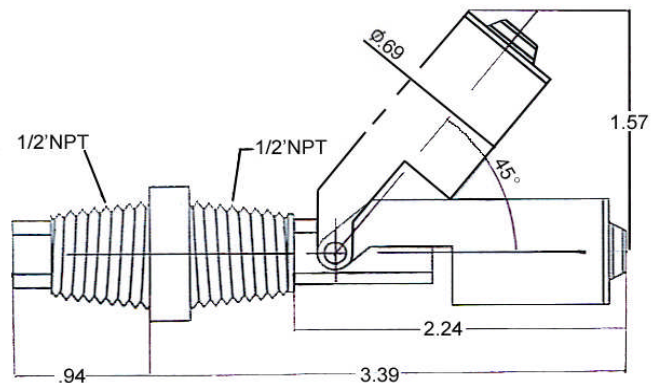




CHICAGO
SENSOR

FLT 229 Polypropylene Float Switch

- Versatile, economical and compact.
- UL Listed internal reed switch.
- Normally closed; can be inverted for normally open operation.
- 1/2" NPT tapered threading.
- Warranted against manufacturer defect for 90 days from delivery date.



Unit: Inches

Thread tapering is exaggerated in drawing

Operation: When the float drops to within .25" (+/- .10") of the horizontal position, the internal reed contacts draw together and complete a circuit. When the float rises .50" (+/- .10") from the horizontal position, the contacts separate and open the circuit.

Materials:

1. Float: Polypropylene
2. Stem: Polypropylene
3. Nut: None
4. O-ring: None
5. Clip: None
6. Leads: AWG22, 20" (500mm)

Specifications:*

- Temperature: -10 ~ +80°C
Contact rating: 50W
Max Switching Voltage: 100VDC
Min Breakdown Voltage: 150VDC
Max Switching Current: 0.5A
Max Contact Resistance: 100mΩ

*Can be customized to your requirements

773-252-9660 • info@chicagosensor.com
1736 W. Pierce Avenue • Chicago, IL 60622
Warehouse: 5113 Richmond Road • Ringwood, IL 60072