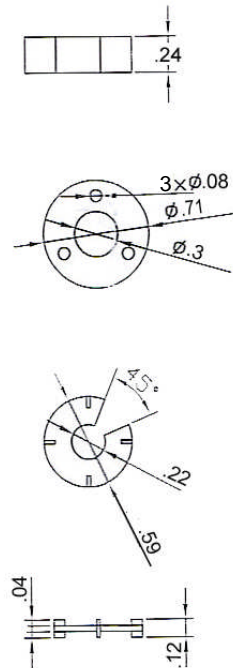
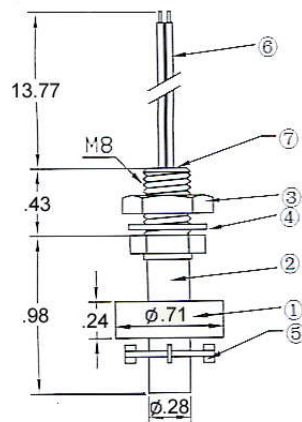


## FLT209 Float Switch

- Versatile, economical and compact.
- UL Listed internal reed switch.
- Normally open; closes circuit when float rises. NOT REVERSIBLE.
- M8 stem threading – each switch comes with a nut and silicon o-ring.
- Warranted against manufacturer defect for 180 days from delivery date.



Unit: Inches (mm)

**Operation:** When the float rises off the bottom clip, the internal reed contacts draw together and complete a circuit. When the float falls, the contacts separate and open the circuit.

### Materials:

- |    |           |                        |
|----|-----------|------------------------|
| 1. | Float:    | Polypropylene          |
| 2. | Stem:     | Polypropylene          |
| 3. | Nut:      | Polypropylene          |
| 4. | O-ring:   | Silicon                |
| 5. | Clip:     | Polypropylene          |
| 6. | Leads:    | 1007 AWG24, 13", black |
| 7. | Top Fill: | Epoxy                  |

### Specifications:\*

- |                         |             |
|-------------------------|-------------|
| Temperature:            | -10 ~ +80°C |
| Contact rating:         | 50W         |
| Max Switching Voltage:  | <=220VAC    |
| Min Breakdown Voltage:  | 600VDC      |
| Max Switching Current:  | 2.5A        |
| Max Contact Resistance: | 100mΩ       |

\*Can be customized to your requirements