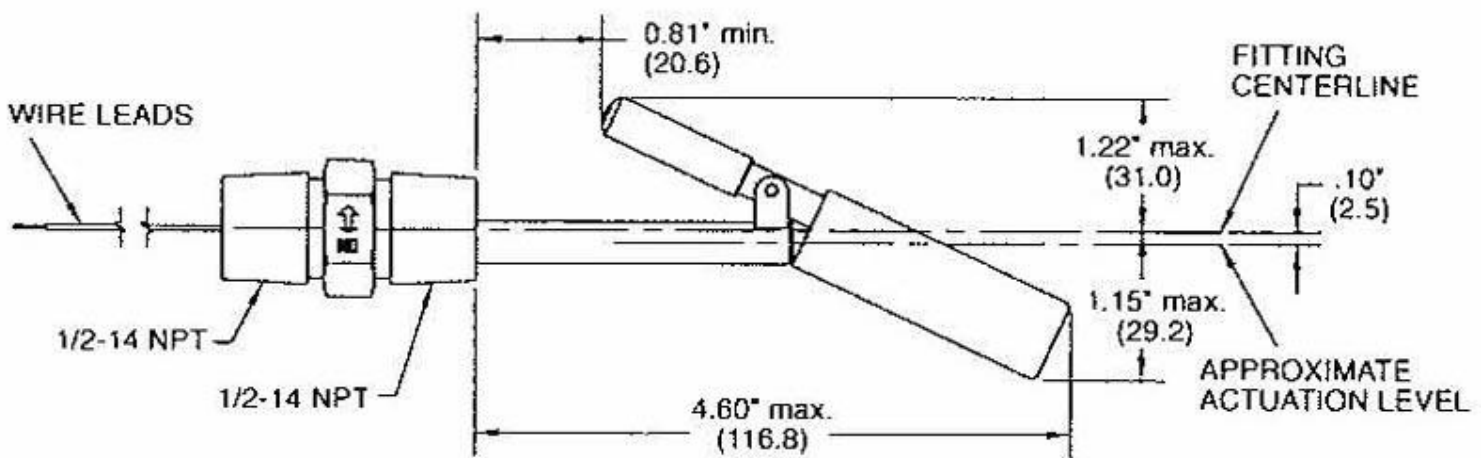




## FLT014 Float Switch

- Versatile and sturdy stainless steel float switch.
- Normally closed; invert for normally open operation.
- 1/2" NPT tapered stem threading; self-sealing; does not come with a nut.
- Warranted against manufacturer defect for one year from delivery date.



**Operation:** When the float rises, the internal reed contacts draw together and complete a circuit. When the float falls, the contacts separate and open the circuit.

### Materials:

Float:	316 Stainless Steel
Stem:	316 Stainless Steel
O-ring:	None (tapered threading)
Clip:	None
Leads:	22 ga. Teflon, 24", black
Top Fill:	Epoxy

### Specifications:\*

Temperature:	+200°C
Contact rating:	30VA
Specific Gravity:	.60
Max Pressure:	300PSIG

\*Can be customized to your requirements

773-252-9660 • [info@chicagosensor.com](mailto:info@chicagosensor.com)  
 1736 W. Pierce Avenue • Chicago, IL 60622  
 Warehouse: 5113 Richmond Road • Ringwood, IL 60072