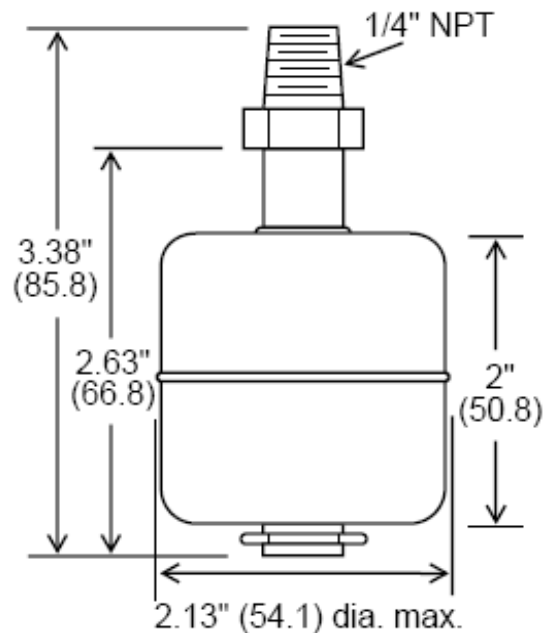




CHICAGO  
SENSOR

## M5600 Stainless Steel Float Switch (FLT006)

- Versatile and sturdy stainless steel float switch.
- UL Recognized part used in thousands of products.
- Normally closed; float can be removed, inverted and replaced for normally open operation.
- 1/4" NPT tapered stem threading; self-sealing; does not come with a nut.
- Warranted against manufacturer defect for one year from delivery date.



Unit: Inches (mm)

**Operation:** When the float drops toward the c-clip, the internal reed contacts draw together and complete a circuit. When the float rises, the contacts separate and open the circuit.

### Materials:

Float:	316 Stainless Steel
Stem:	316 Stainless Steel
O-ring:	None (tapered threading)
Clip:	316 Stainless Steel
Leads:	22 ga. Teflon, 24", black
Top Fill:	Epoxy

### Specifications:\*

Temperature:	+200°C
Contact rating:	60VA
Max Pressure:	200 PSIG
Approvals:	UL, CSA, NSF
Specific Gravity:	.55

\*Can be customized to your requirements

773-252-9660 • info@chicagosensor.com  
1736 W. Pierce Avenue • Chicago, IL 60622  
Warehouse: 5113 Richmond Road • Ringwood, IL 60072